



Bezpieczna infrastruktura sieciowa – zacznijmy od budowy fundamentów

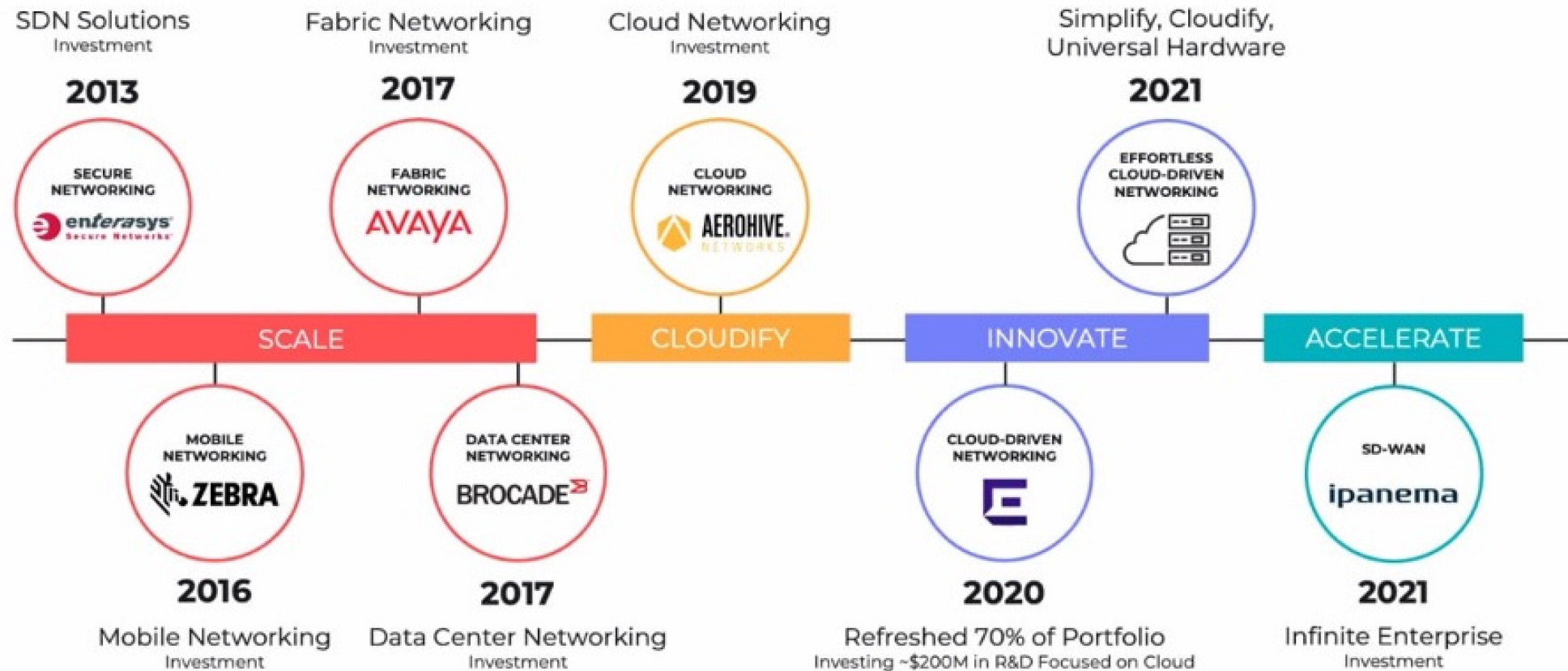
Piotr Szólkowski

Senior Systems Engineer

Extreme Networks History in a nutshell



Investing for Growth in the Infinite Enterprise Era



Gartner Magic Quadrant Leader for Six Consecutive Years



- For 6th year in a row, leader in Magic Quadrant for Enterprise Wired and Wireless LAN Infrastructure
- Ahead of Cisco
- Strengths cited in the report:
 - Zero Touch Network Fabric
 - Universal Licensing
 - Third party network management

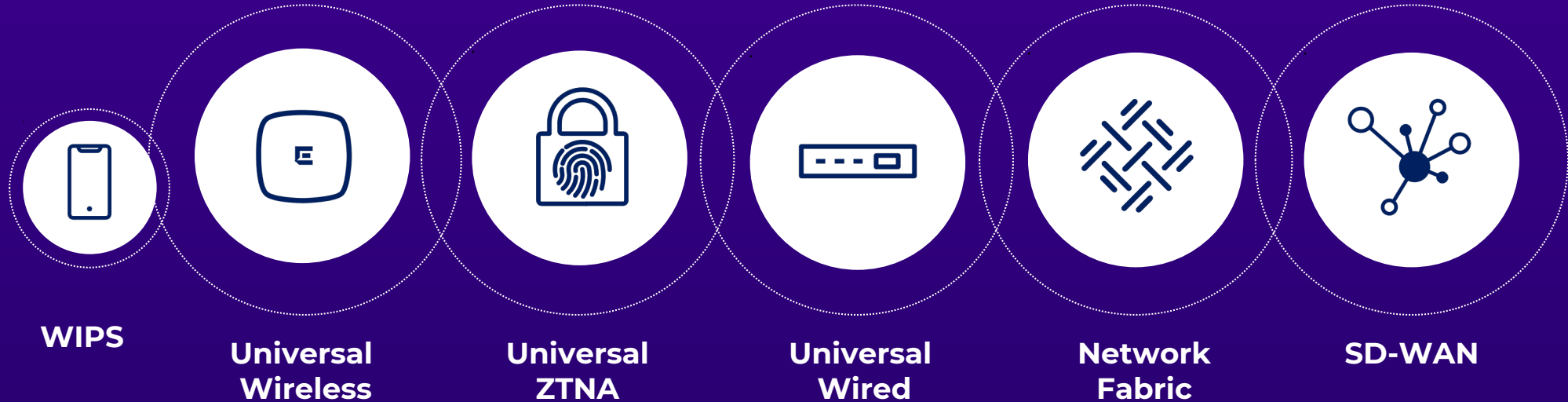
Figure 1: Magic Quadrant for Enterprise Wired and Wireless LAN Infrastructure



Layered Security Protects One Network



Secure by Design



Management

- Alarm and Event management
- Configuration & change management
- Zero touch provisioning
- Capacity planning
- Discovery & topology
- Compliance enforcement



Control

- Role-based granular network access control and priority
- Assessment integrations
- Guest & remediation portals
- User & end-system tracking
- Automated incident response
- Endpoint tracking

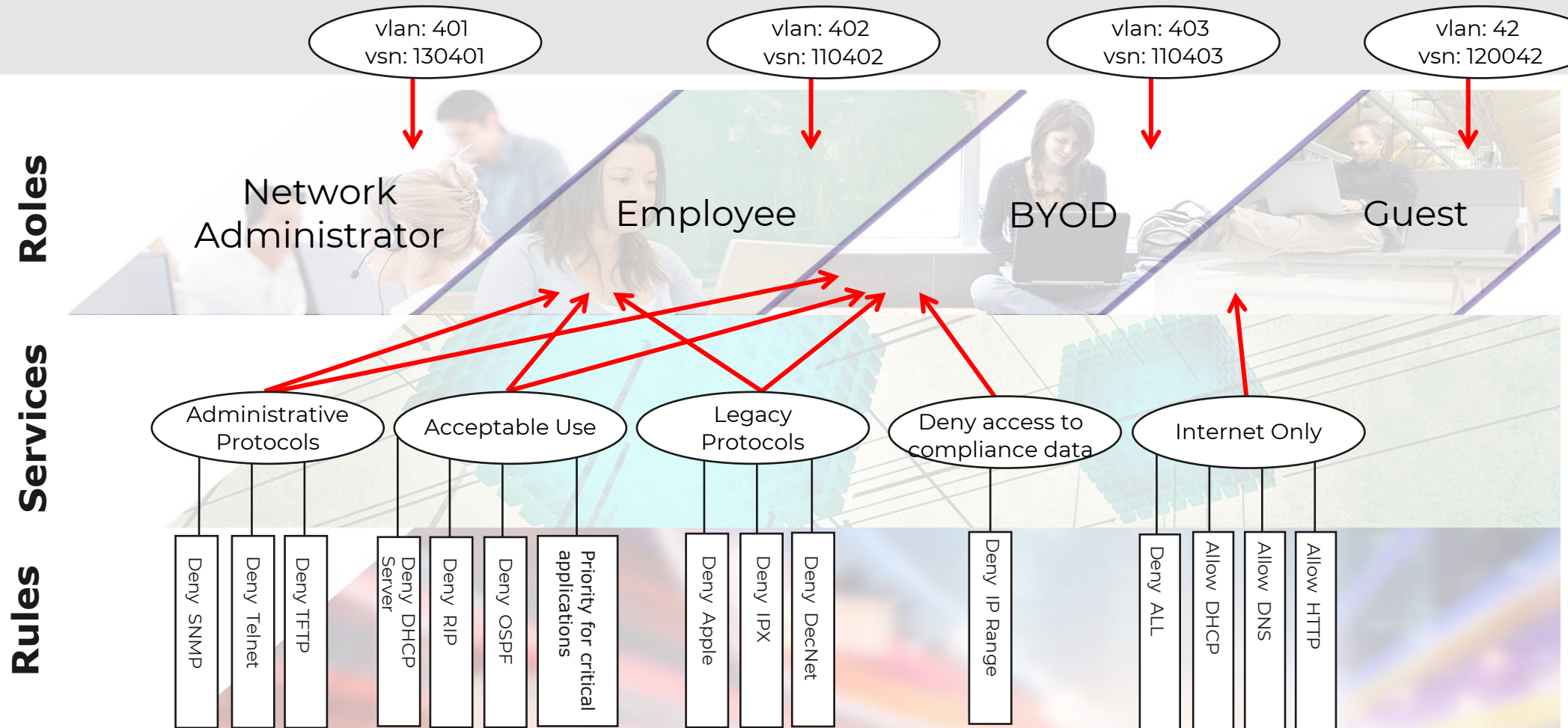


Analytics

- Layer 7 app. visibility and control
- 1,000s of fingerprints for port-independent app. detection
- Dashboards, diagnostics and troubleshooting
- Status, performance and threat reporting



Role Based Policy

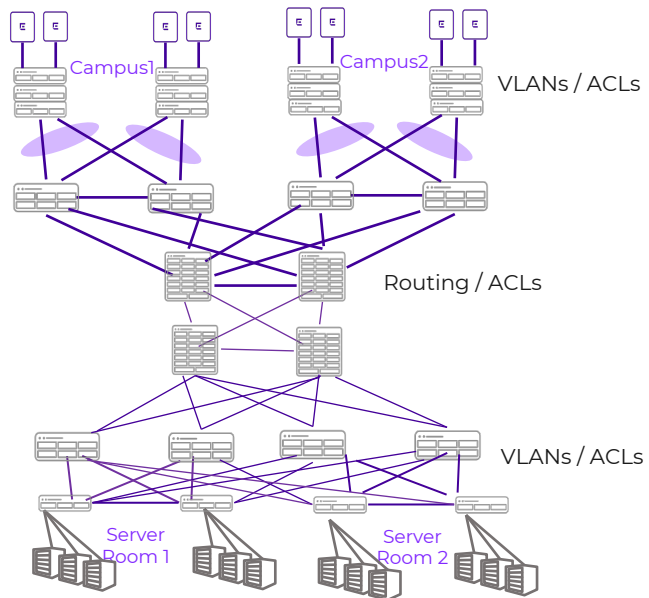


- With policy profile you can also assign a script to the endsystem:
 - PoE config, speed & duplex, ...

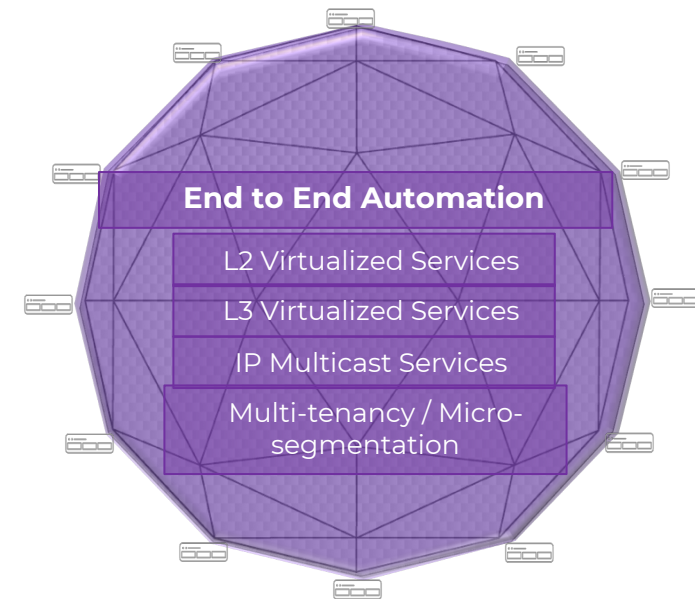
What is Fabric Connect ?



Traditional Network: Rigid and complex



Fabric Connect: Simple, agile, cloud-driven

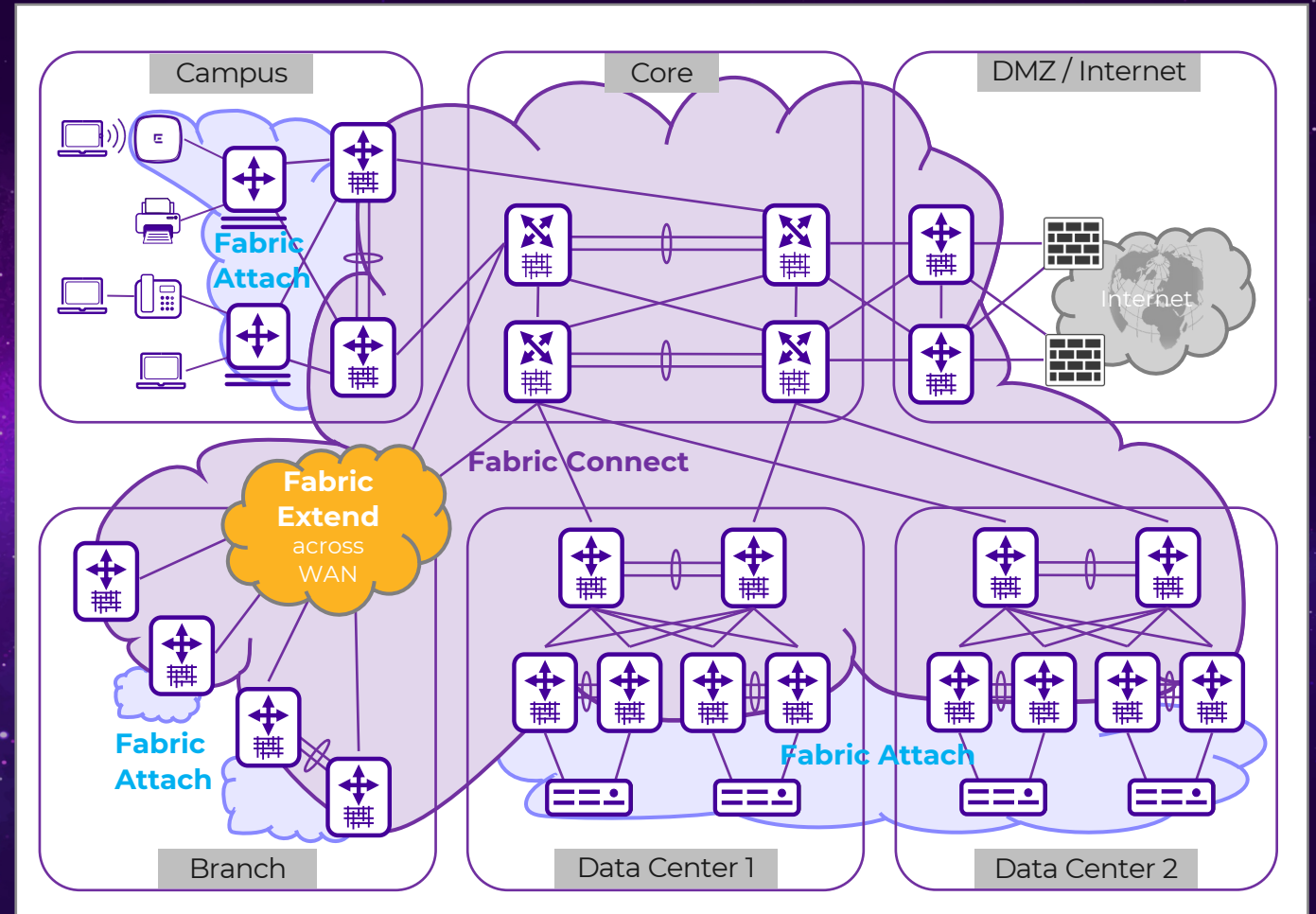


Fabric Connect Infrastructure Basics



Building network-wide fabrics consists of:

- FC: Fabric Connect
 - IEEE 802.1aq Shortest Path Bridging (SPB) – RFC 6329
 - IEEE 802.1ah Provider Backbone Bridges (Mac-in-Mac)
- FA: Fabric Attach
 - IEEE 802.1Qcj Automatic Attachment to Provider Backbone Bridging
- FE: Fabric Extend
 - Over the WAN or IP transport using VXLAN – RFC 7348





Live Demo

Dane kontaktowe



Kontakt w sprawach handlowych:

Marcin Laskowski

mlaskows@extremenetworks.com

Tel.: +48 536 893 192

Kontakt w sprawach technicznych:

Piotr Szólkowski

pszolkowski@extremenetworks.com

Tel.: +48 605 490 605

Zapraszamy również na naszą lokalną stronę Extreme Networks:

<https://pl.extremenetworks.com/>



ADVANCE
WITH US™